

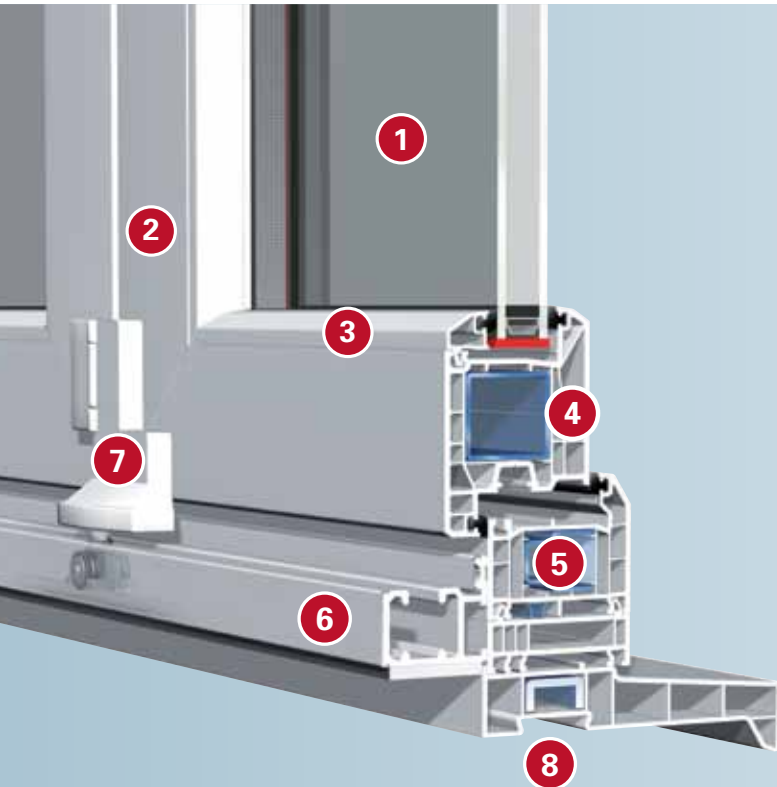


# Bi-folding Door System Specification

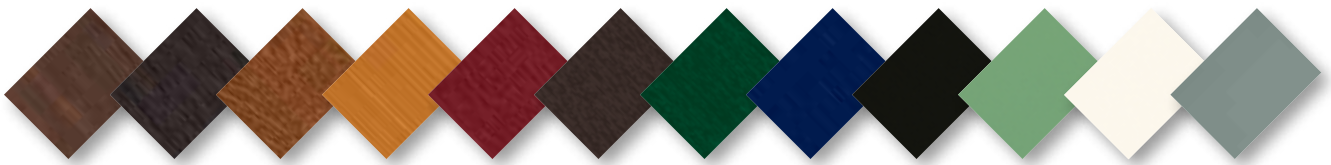


**KÖMMERLING®**

# Bi-folding Door System Specification



- 1 Option of 3, 4, 5, 6 or even 7 sashes.
- 2 Capable of spanning 5.7m with sash sizes of 2.2m high x 0.8m wide.
- 3 Beautiful design with the option of bevelled or sculptured glazing beads with low lying gaskets.
- 4 Five chambered profiles for improved energy efficiency.
- 5 Fully reinforced to add structural stability.
- 6 Powder coated aluminium tracks guarantee the maximum possible service life.
- 7 Impressive smooth sliding doors, folding with ease of movement at the hinge.
- 8 All PVCu profiles manufactured using our exclusive lead-free Greenline compound.



Now available in over 40 colours.

## ► Innovation and Energy Efficiency

Like all of our window and door products, our C70 and O70 Gold systems are packed with innovative product features. The 5-chambered design is far more energy efficient than the 3 chambered designs of yesteryear, resulting in more cost effective glass options for fabricators, installers and specifiers. With Building Regulations planned to change again in 2013, our PVCu window and door systems will lead the way.

Kömmerling and parent company, profine Group, also lead the way across Europe with their lead-free Greenline compound that was developed 7 years ago. In the UK many Systems Companies still use lead as a stabiliser in their PVCu compound. At profine, we understand the importance of the environment in terms of harmful materials and energy efficiency.

## Kömmerling window and door systems

- C70 Gold window and door system
- O70 Gold window and door system
- PremiLine patio door
- PremiDoor lift and slide door
- KBE System 88